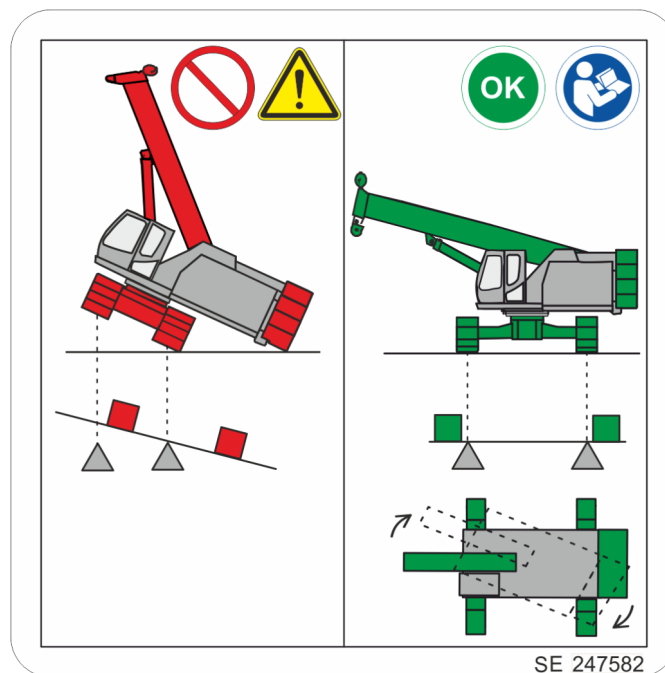


Notice describing how to avoid the danger of tipping when slewing with reduced track width of the crawlers



SENNEBOGEN Maschinenfabrik GmbH
Hebbelstraße 30
94315 Straubing
Telephone: +49 9421 540-0
E-mail: doku@sennebogen.de
Internet: <http://www.sennebogen.com>

673E, 5, en_US

Table of contents

1	Introduction.....	4
2	Attaching the safety notice sticker inside the cab.....	5
3	Relevant sections from the operating manual.....	6
	3.1 Track widths.....	6
	3.1.1 Slewing the uppercarriage with reduced track width of the crawlers.....	6
	3.1.2 Track width markings.....	7
	3.1.3 Increasing the track width.....	8
	3.1.4 Decreasing the track width.....	10
	3.2 Transport.....	13
	3.2.1 Safety instructions.....	13

1 Introduction

When working with 673 series telescopic cranes, the machine operator must take care to avoid all situations in which the crane might tip over.

This document, which supplements the operating manual, describes critical situations and includes an additional sticker (part no. 247241) containing a safety notice for attachment inside the cab.

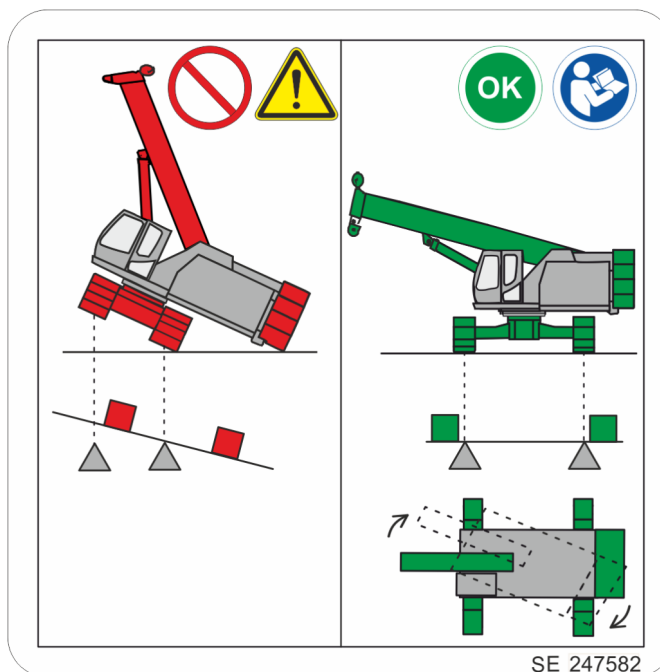


Fig. 1: Warning sticker

Attach the sticker Fig. 1 inside the cab and follow the instructions carefully, see [Chapter 2](#) “Attaching the safety notice sticker inside the cab” on page 5.



Follow the instructions in the operating manual for the machine. This document is only valid in conjunction with the operating manual.

2 Attaching the safety notice sticker inside the cab

- Tool:
- Lint-free absorbent cloths
 - Pencil
 - Squeegee

1. ➤ Clean all traces of dust and grease from the surface to which the sticker is attached.
2. ➤ Position the sticker as shown in the figure Fig. 2.
3. ➤ Use the pencil to mark the position of the sticker (1).
4. ➤ Peel off the protective paper from the back of the sticker.

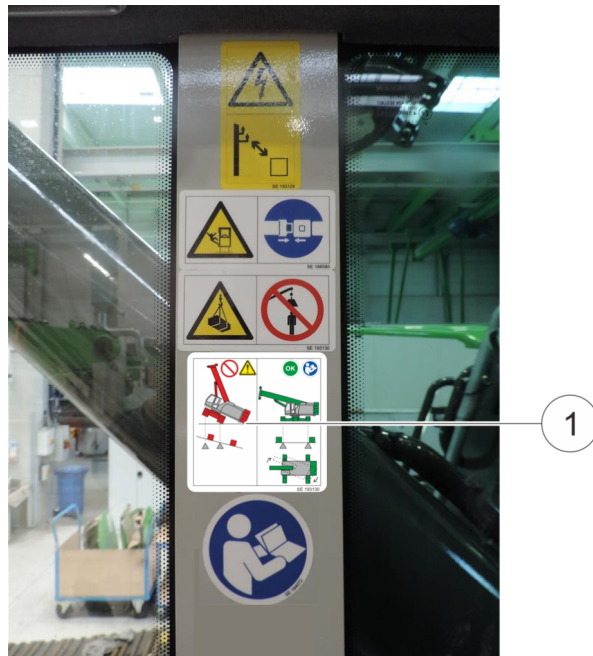


Fig. 2: Warning sticker inside the cab

5. ➤ Attach the sticker in the position marked previously (1) and use the squeegee to smooth it out on the surface.

3 Relevant sections from the operating manual

3.1 Track widths

3.1.1 Slewing the uppercarriage with reduced track width of the crawlers

You can change the track width of the machine in the following work mode.

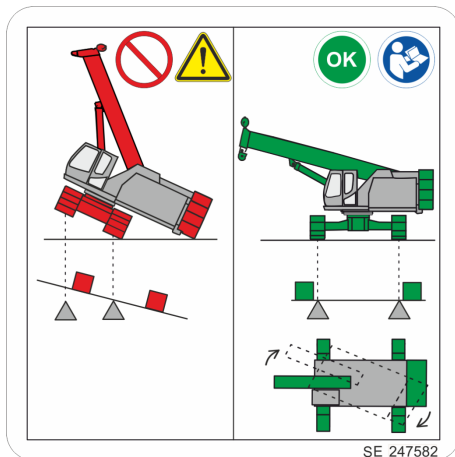


Fig. 3: Danger of tipping



DANGER!

Danger of tipping when slewing the uppercarriage with reduced track width of the crawlers

Slewing the uppercarriage with maximum counterweight and reduced track width of the crawlers can cause the machine to tip over. This can cause death or serious injury.

- In work mode, when performing maintenance on or setting up the machine with full counterweight, never work with the track width of the crawlers reduced fully.
- Before retracting the undercarriage, position the uppercarriage in the direction of travel longitudinally to the undercarriage and lock in place with the slewing gear brake to prevent turning.
- Do not slew the uppercarriage while retracting.
- Follow the instructions for reducing the track width.
- Follow the instructions for loading and unloading.

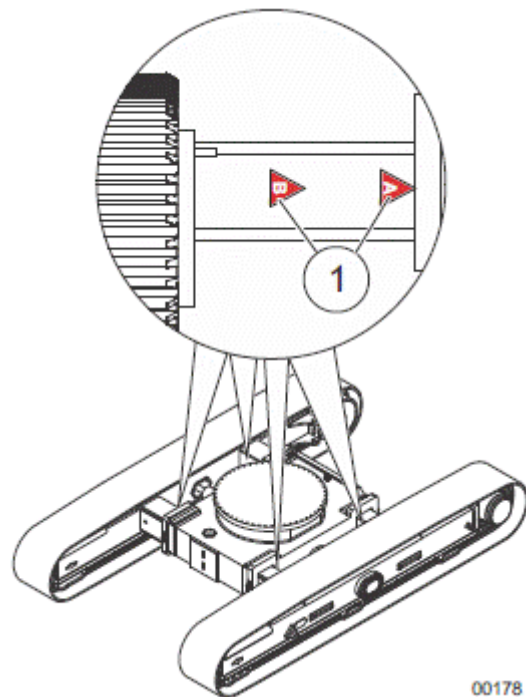
- Always extend the crawlers to the maximum track width and lock them during maintenance and servicing.
- Reduce the track width of the crawlers in order to transport the machine on a lowbed trailer.

3.1.2 Track width markings

The undercarriage has arrows (1) at the positions shown. The arrows show the set track width.

When the tip of each arrow is aligned with the middle bridge, the following track widths are set:

Arrow / Selection in SENCON	Track width
A	4.1 m (13.45 ft)
B	3.2 m (10.49 ft)
C (SENCOR) Minimum track width of the crawlers	2.3 m (7.5 ft)



00178

3.1.3 Increasing the track width

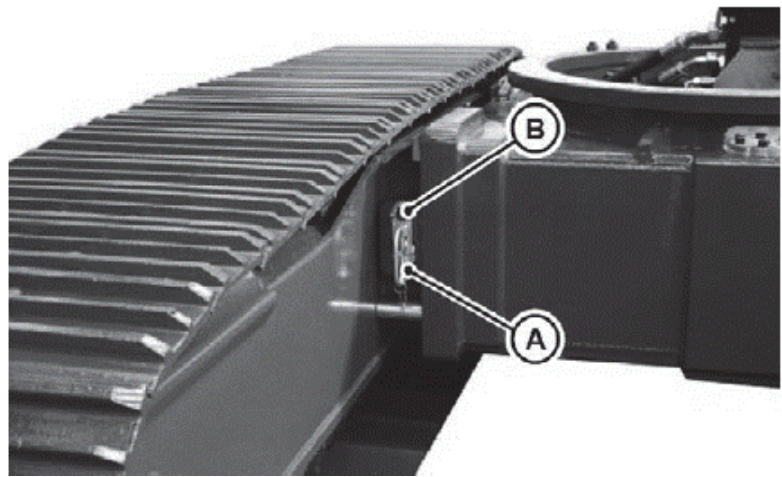


NOTICE!

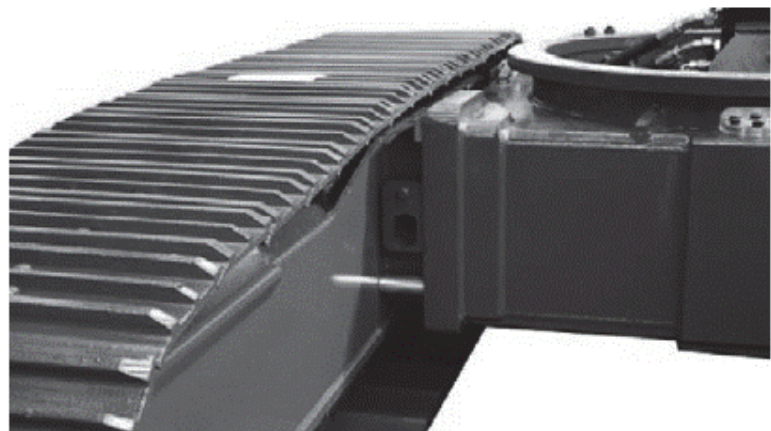
Risk of damage to the machine.

Undercarriage and bolts are damaged due to improper bolt insertion.

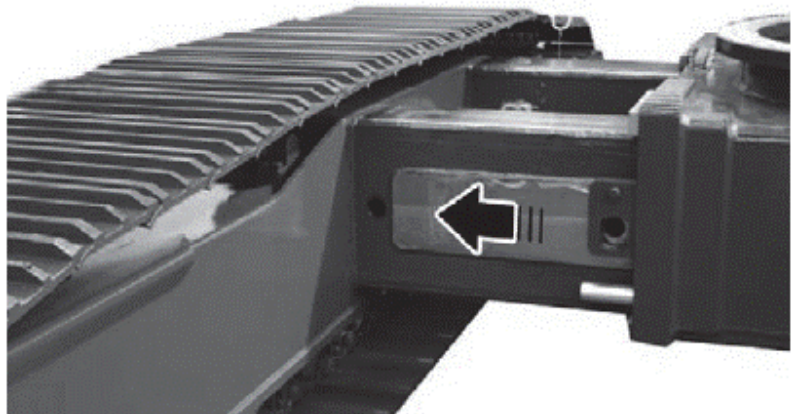
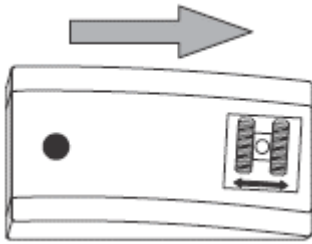
- Never drive in obstructed bolts with hammers or mallets.



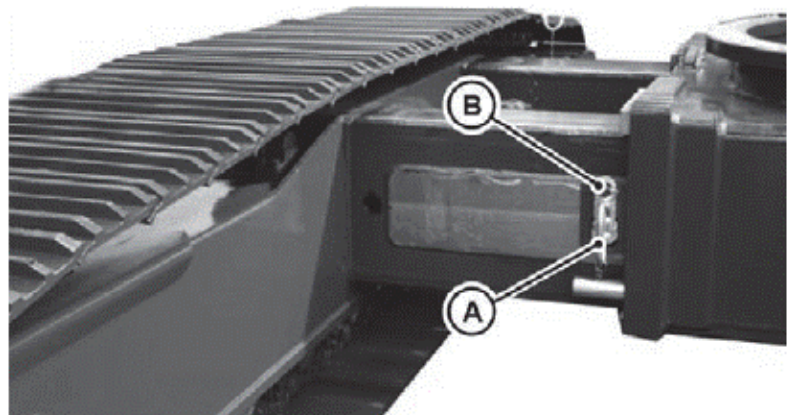
1. ➤ Prepare a clean collection container for the bolts.
2. ➤ Go to the front area of the undercarriage.
3. ➤ Remove the latch pins (B) on both bolts (A).
4. ➤ Pull out the bolts (A) and place them in the container prepared for this purpose.
5. ➤ Go to the rear area of the undercarriage.
6. ➤ Remove the latch pins (B) on both bolts (A).



7. ➤ Pull out the bolts (A) and place them in the container prepared for this purpose.



- 8.** ➤ Push the **Release undercarriage telescoping** button on the right-hand control panel to the right.
⇒ The stabilizers are extended.
- 9.** ➤ Push the **Release undercarriage telescoping** button on the right-hand control panel to the right and hold it until you reach the required track width.
- 10.** ➤ Reinsert all bolts (A).
- 11.** ➤ Reattach all latch pins (B).



3.1.4 Decreasing the track width

Conditions for slewing the upper-carriage with reduced track width of the crawlers

When the track width is reduced, the following conditions must be met before the uppercarriage is slewed over the side.

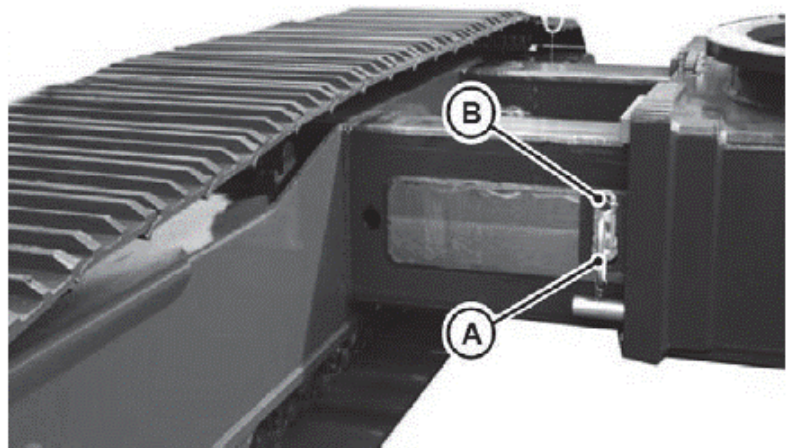
- **With full counterweight:**
 - The working radius must be at least 9.14 m (30 ft).
 - The boom length must be extended to 13.7 m (45.3 ft).
- **Without counterweight:**
 - The boom must be fully retracted.
 - The working radius should be 7.6 m (25 ft).
 - The boom angle should be at 30°.
- **Operating mode:**
 - Only the settings listed in the load lift charts in the operating manual are permitted.

**NOTICE!****Risk of damage to the machine.**

Undercarriage and bolts are damaged due to improper bolt insertion.

- Never drive in obstructed bolts with hammers or mallets.

1. ➤ Prepare a clean collection container for the bolts.
2. ➤ Go to the front area of the undercarriage.
3. ➤ Remove the latch pins (B) on both bolts (A).
4. ➤ Pull out the bolts (A) and place them in the container prepared for this purpose.

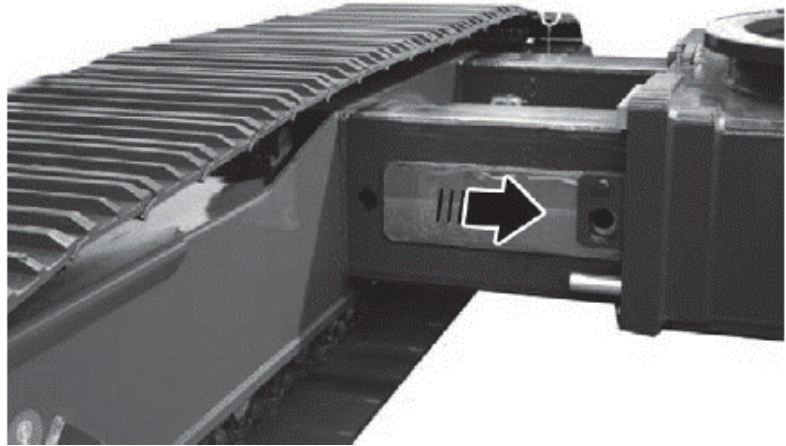
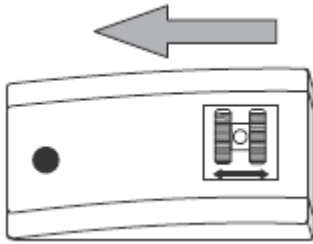


5. ➤ Go to the rear area of the undercarriage.
6. ➤ Remove the latch pins (B) on both bolts (A).
7. ➤ Pull out the bolts (A) and place them in the container prepared for this purpose.
8. ➤ Push the **Release undercarriage telescoping** button on the right-hand control panel to the left.
 - ⇒ The stabilizers are retracted.

Relevant sections from the operating manual

SENEBOGEN

Track widths > Decreasing the track width



- 9.** ▶ Push the **Release undercarriage telescoping** button on the right-hand control panel to the left and hold it until you reach the required track width.
- 10.** ▶ Insert all bolts (A).
- 11.** ▶ Attach all latch pins (B).

3.2 Transport

3.2.1 Safety instructions



DANGER!









Danger of tipping when slewing the uppercarriage with reduced track width of the crawlers

Slewing the uppercarriage with maximum counterweight and reduced track width of the crawlers can cause the machine to tip over. This can cause death or serious injury.

- In work mode, when performing maintenance on or setting up the machine with full counterweight, never work with the track width of the crawlers reduced fully.
- Before retracting the undercarriage, position the uppercarriage in the direction of travel longitudinally to the undercarriage and lock in place with the slewing gear brake to prevent turning.
- Do not slew the uppercarriage while retracting.
- Follow the instructions for reducing the track width.
- Follow the instructions for loading and unloading.

Transport on a lowbed trailer requires the following preliminary tasks to be performed:

Preliminary work

- 1.**  Select a suitable transport vehicle.
- 2.**  Clean the machine.
- 3.**  Bring the telescopic boom into transport position. To completely lower the boom, operate the key switch "Bypass LML".
- 4.**  If necessary, dismount the fly boom or fold and lock it.
- 5.**  Lock the bottom hook block to prevent swinging.
- 6.**  Lock uppercarriage and undercarriage.
 - Turn the uppercarriage parallel to the undercarriage. For ballasting, the uppercarriage must be precisely in the 0° position.
 - The uppercarriage can be locked in at exactly 0° from the corresponding SENCON menu.
- 7.**  Adjust the minimum track width of the undercarriage.
- 8.**  Stow or remove the walkways and deploy the railings.

Safety during transport

- Wear personal protective equipment (e.g. hard hat, protective gloves, safety footwear).
- Follow the notices for slewing the uppercarriage with reduced track width of the crawlers.
- Only have authorized specialists execute loading and transport tasks.
- Observe the relevant regulations for securing loads. The respective transport company is always responsible for the transport of machine and accessories.
- When loading and transporting, lock the machine and the working equipment against unintentional movements.
- When loading, lock all required auxiliary equipment, such as ramp sections or wooden planks against unintentional movements.
- Clean the machine's wheels or chains of mud, snow, and ice.
- Check the conditions of the route before starting the transport.
- Only secure the machine at the designated lashing points.
- Ensure that the machine does not pose any hazards for other traffic participants.